



# DMX512 Track light Setup and Addressing Instructions

## Read before you start

- For DMX512 Track light Installation Instructions, please refer to DMX512 Track light Installation Instructions.
- ON DMX512 Track light still require a third party DMX controller for control. The encoder is used for addressing the fixture only.
- DMX512 system should always be installed by a contractor who understands the requirements of the DMX standard.

 **WARNING: RISK OF ELECTRIC SHOCK! TURN OFF POWER BEFORE INSTALLING OR SERVICING.**

### WARNING:

1. Risk of fire or electric shock. LED fixtures installation requires knowledge of luminaires electrical systems. Installation should be performed only by a qualified electrician in accordance with the National Electrical Code and relevant local code.
2. Read all product labels and instructions before installing fixture.
3. To prevent wiring damage or abrasion, do not expose wiring to edges of sheet metal or other sharp objects.
4. **INSTALLATION SHOULD ONLY BE PERFORMED AFTER POWER TO THE FIXTURE HAS BEEN DISCONNECTED.**
5. **SAVE THESE INSTRUCTION FOR FIXTURE REFERENCE.**



220-240 VAC



INDOOR  
USE ONLY.

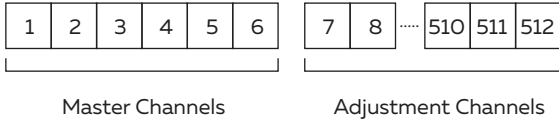


DO NOT TOUCH  
WHILE FIXTURE  
IS IN OPERATION.



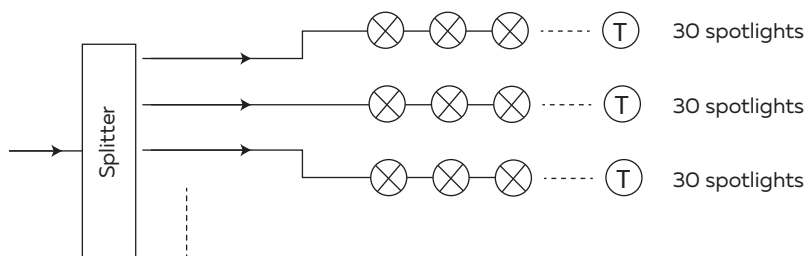


### DMX512 Requirements



- X:** Intensity
- X+1:** Color control (1-WW, 255-CW)
- X+2:** X axis movement ( Pan )
- X+3:** Y axis movement ( Tilt )
- X+4:** Null
- X+5:** Calibration ( 1-32: X axis calibration, 33-64: Y axis calibration, 65-96: Null, 97-128: X ,Y ,Z calibration)

Fixture	DMX Address					
	Intensity eg. X	Color control eg. X+1	X Pan eg. X+2	Y Tilt eg. X+3	Z Zoom eg. X+4	Calibration eg. X+5
#1	1	2	3	4	Null	6
#2	7	8	9	10	Null	12
#3	13	14	15	16	Null	18



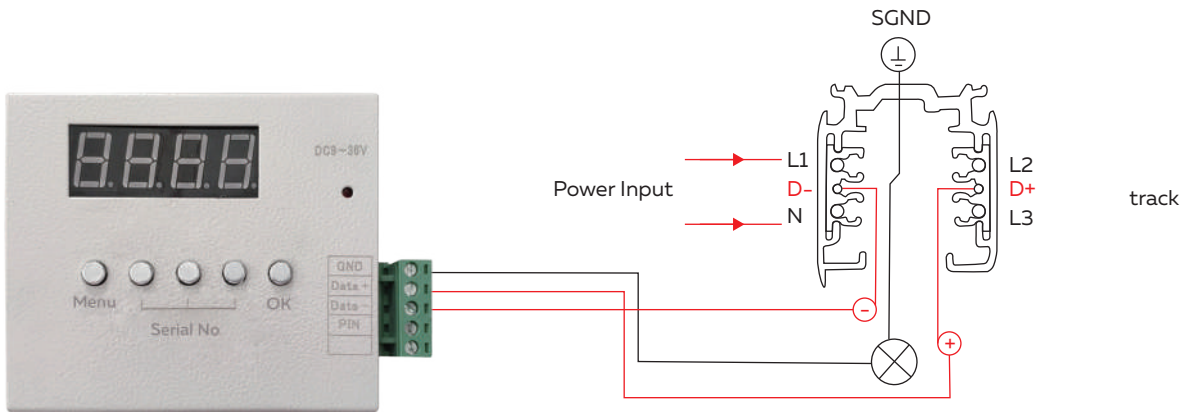
**Note**  
● We don't recommend more than 30 fixtures per DMX daisy chain, and each chain must be terminated with a 120Ω DMX resistor to prevent reflections.





## Setting the encoder/fixture

The encoder adopts a high-speed MCO process. It is compatible with RS485 standard, supports most of the DMX512 chip and super DMX decoder on the market.



### Steps

1. Plug in the encoder. Default display digits : 0000
2. Press "Menu" button once, it shows 1, keep this digit as 1.
3. You can start addressing progress, set up first fixture serial No. as 001 and the next one is 007.

### Note

- ON DMX512 fixture require a default 6 consecutive channels.

